

ECE QUEST

(A BI-ANNUAL TECHNICAL MAGAZINE)

Volume 4 Issue 1

OCT 2018

Chief Editor:
D. Srikanth, Associate Professor, ECE

Editors:
B.Mohan Swaroop, Assistant Professor, D.
Madhavarao (15KT1A0428)
AKhandeswaraRao(16KT1A0406)

PSCMR

College of Engineering and Technology

Sponsored by : SKPVV Hindu High School Committee, Estd : 1906
Approved by : AICTE, NEW DELHI and Affiliated to JNTU, Kakinada



Contents:

- ▣ About the Department, Vision, Mission, PSOs, PEOs
- ▣ Do it yourself
- ▣ Scientist of the year
- ▣ Important Websites
- ▣ Events

About the Department

The Department of **Electronics and Communications Engineering** envisions the E.C.E graduate as a competent and ethical professional in the areas of electronics, communications, and digital signal processing. The Department of Electronics and Communication Engineering is established in **2008**. It offers B.Tech programme with a student intake of **120**.

Vision:

To be a leading center for education and research in electronics and communication engineering, making the students adaptable to contemporary technologies with sound knowledge and socio-ethical values in an integrated learning environment.

Mission:

- ▣ **M1:** To produce knowledgeable and technologically competent engineers for providing services to the society.
- ▣ **M2:** To have a collaboration with leading academic, industrial and research organizations for promoting research activities among faculty and students.
- ▣ **M3:** To create a unified learning environment for sustained growth in electronics and communication engineering and related areas.

PSO'S

- ▣ **PSO1:** The ECE Graduates will be equipped with knowledge of complete design flow from specification to silicon in areas of both digital and analog VLSI Design and will be able to work in IC design companies.
- ▣ **PSO2:** The ECE Graduates will be trained with microprocessor and microcontroller based system design skills and can work as design and verification engineers in the area of embedded systems design.
- ▣ **PSO3:** The ECE Graduates will be able to apply engineering knowledge for design and implementation of projects pertaining to signal processing and communications.
- ▣ **PSO4:** The ECE Graduates will be incorporated with necessary soft skills, Aptitude and technical skills to work in it and public sector.

PEO'S

- ▣ **PEO1: Engineering Foundation**

To produce graduates with firm foundation in electronics and communication engineering.

- ▣ **PEO2: Core Competence**

To motivate graduates to Analyze, Design, Develop, Optimize and implement electronic systems with competent spirit.

- ▣ **PEO3: Breadth Knowledge**

To enable graduates with sufficient breadth in electronics and its related fields to solve general engineering problems in an eco-friendly environment.

- ▣ **PEO4: Soft Skills**

To make graduates with a professional outlook who can communicate effectively and interact responsibly with colleagues, Clients, Employers and society.

- ▣ **PEO5: Knowledge Enhancement**

To prepare graduates who pursue lifelong learning and professional development including higher education.

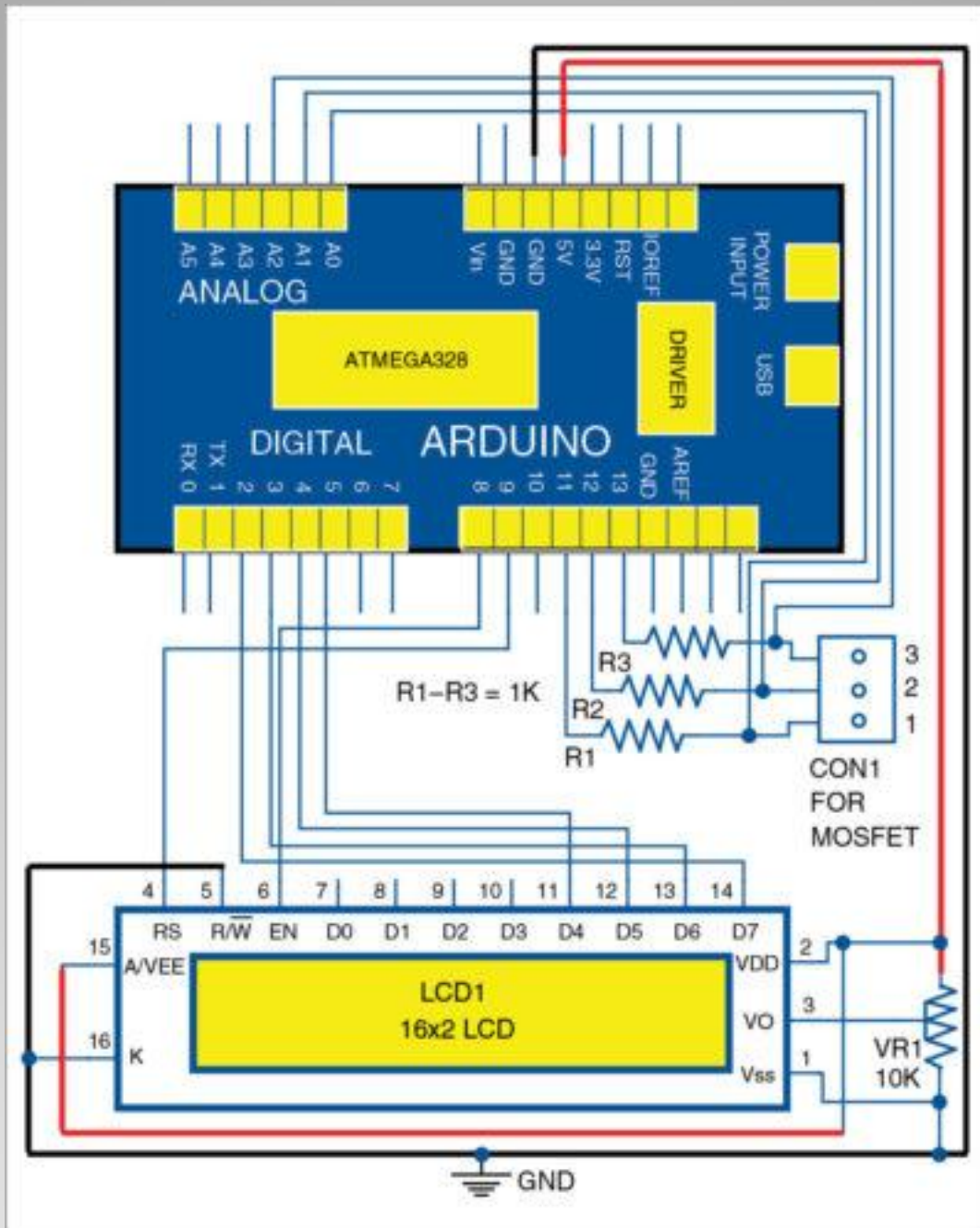
Do it yourself

Arduino-Based MOSFET Terminal Identification System

Metal oxide semiconductor field effect transistor (MOSFET) is a semiconductor device widely used for switching applications and amplifying electronic signals. While the facility to determine the type and pin configuration of bipolar junction transistors (BJTs) are available in digital multimeters (DMMs) used in the laboratory, most DMMs do not provide such features for MOSFETs.

This Arduino-based project allows you to identify the type of MOSFET (p-channel or n-channel) and determine the pins that correspond to drain, source and gate terminals of MOSFET.

Circuit Diagram



Scientist of the year

Werner Heisenberg

- ▣ Werner Karl Heisenberg was a German theoretical physicist and one of the key pioneers of quantum mechanics. He published his work in 1927 in a breakthrough paper



Important Websites

- ▣ GrubHub
- ▣ Stubhub
- ▣ Instructables
- ▣ UnplugTheTV.com

S.No.	Name of the event	Event type	Professional societies/chapters	Resource person/team	Date
	SCILAB and its applications	Workshop	IETE Students forum	Faculty of Dept of ECE.	27 th July to 29 th July 2018
	Lab VIEW Technology	Workshop	IETE Students forum	Satya Narayan, Software Expert, APITA	31 st to 01 th Aug 2018
	PCB design	Workshop	IEI Students forum	Faculty of Dept of ECE.	11 th – 15 th Sep, 2018

Events